

Please read before Assembly and Installation of Product

Must be installed by a qualified electrician in accordance with all national and local electrical and construction codes and regulations.

Before attempting to install or use a fixture, read and understand the installation instructions and safety labels.

Do not use a fixture if the lens, housing or power cables are damaged.

Ensure that the main power supply is off before installing or wiring a fixture.

Risk of shock and no user serviceable parts. Do not attempt to open them.

Do not use a fixture for any voltage for which it is not rated.
Do not exceed the specified voltage and current input for any fixtures.

Press both connectors together until there is an audible click.

This device complies with Part 15 of the FCC Rules.

This Class B digital apparatus complies with Canadian ICES-003.

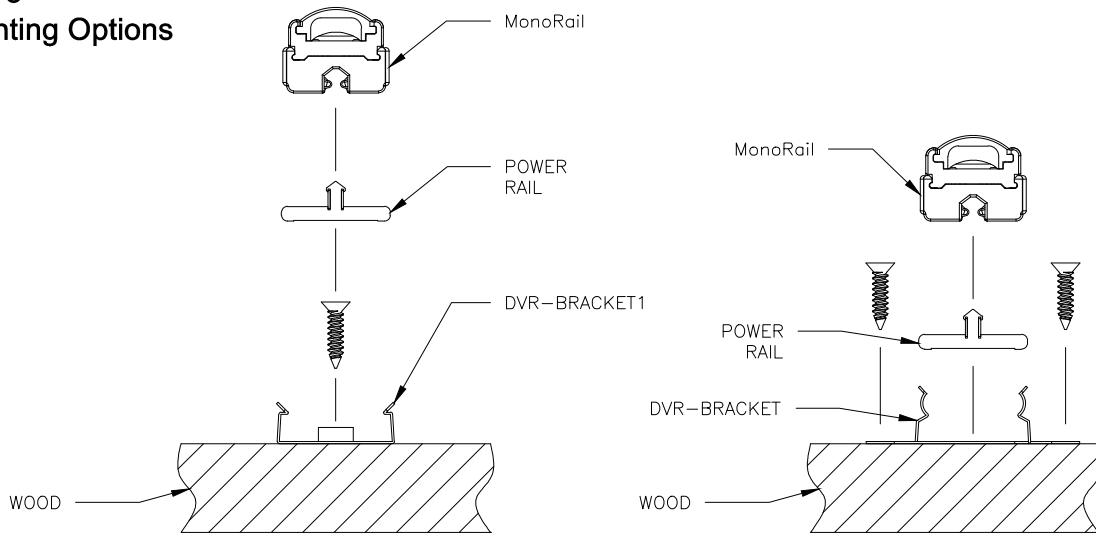
Do not hot swap fixtures.
Ensure that power to the series is off before connecting or disconnecting individual fixtures.

Step 1
Verify electrical plan

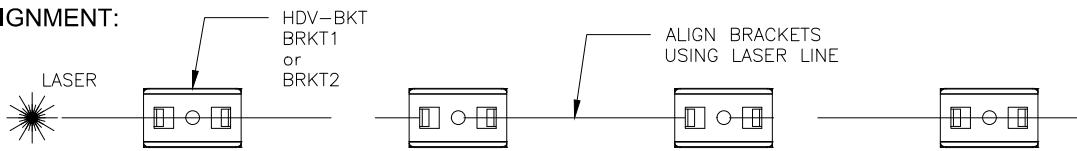
Calculate the number of fixtures each circuit can support based on: model of fixture, line voltage, circuit load and cable length.

Step 2
Check that all components are accounted for

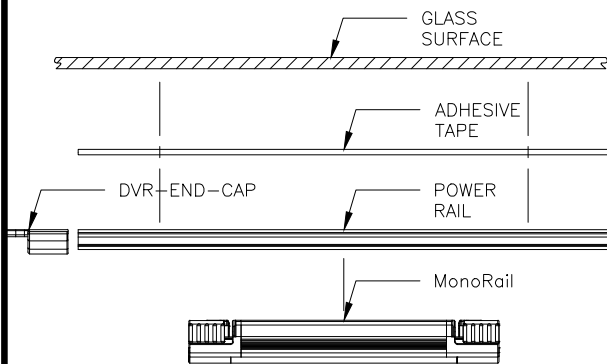
**Step 3
Mounting Options**



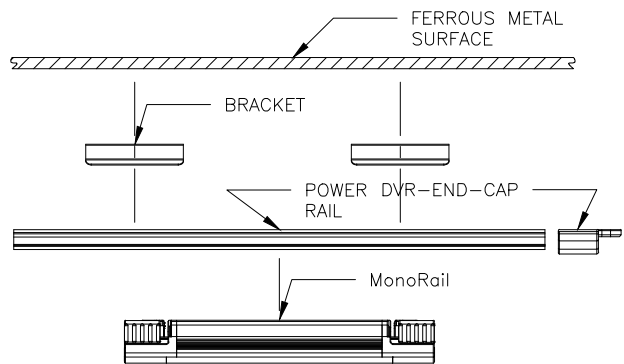
ALIGNMENT:



Align Plate with Fixture magnets



Glass Surface Mounting



Ferrous Metal Surface Mounting

MOUNTING:

NDV, HDV HO are shipped with Standard Mounting brackets and magnets

Angled Mounting Brackets are ordered separately.

Brackets are to be installed within 2" from the ends of the units to support the junction point.

FLX Stix's is shipped with an additional support bracket for the NDVPC/HDVPC and all connection points. These Brackets must be used for FLX Stix 2.

SIDE FEEDS:

Side Feed Units insure uninterrupted continuous lines of lights
FLX Stix requires a Side Feed Unit for runs that exceed 55w or ~14.5'.
FLX Stix HO requires a Side Feed Unit for runs that exceed 75w or ~12'.
Side Feed Units require power.

FLX Stix DIMMING:

Please ensure compatibility prior to installation:

Feelux FLC and XLD -0-10v Dimming: Feelux Interface required.

Eclipse -0-10v Dimming interface is not required.

QTran -Q6S and QTM - Forward phase magnetic low voltage dimming; no interface required.

APPROVED DRIVERS / TRANSFORMERS:

FLX Stix Series can be installed with the following approved drivers/transformers/power supplies

Feelux FLC AND XLD Series drivers

QTran Q6S, Q6M, QTM and QTM ELED

When dimming, QTran QTM-DC+CAP units maybe required

Eclipse Light Manager

Lutron

Other drivers have not been tested and will NOT comply with the Feelux Warranty

SPLICING:

When using Feelux XLD, QTran or Eclipse, the driver end of the power feed cable is cut and spliced to the driver.

Polarity must be followed and is:

FLX Stix NDV

Lead with Gray Stripes is NEGATIVE

Lead with writing and white is POSITIVE

FLX Stix HDV HO

Lead with ++++++ + is NEGATIVE

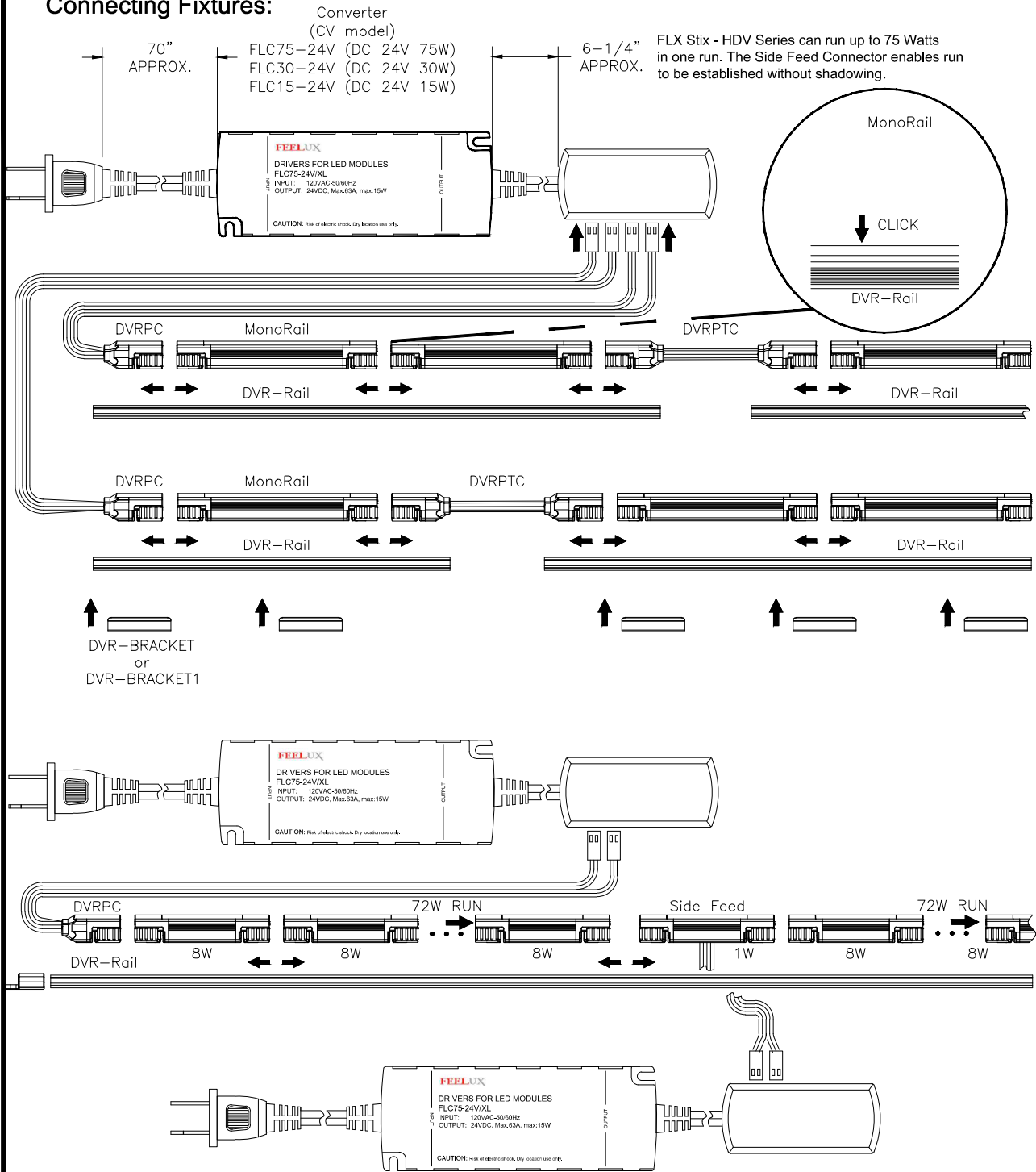
Lead with xxxxxxxx is POSITIVE

Contractor must test for 24V DC at splice points

JUMPERS:

Jumpers cannot be cut or spliced at any time without written permission from Feelux.

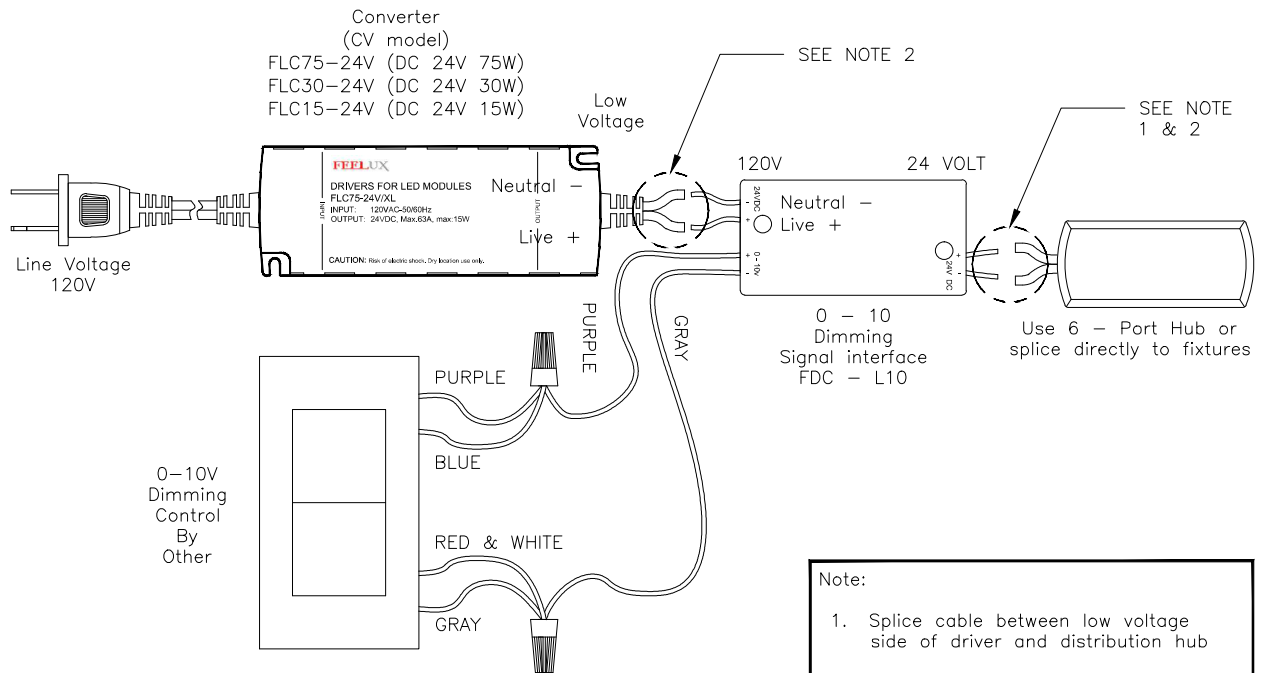
Step 4
Connecting Fixtures:



CAUTION:
TOTAL CONNECTED FIXTURES WATTAGE NOT TO EXCEED DRIVER WATTAGE!

Step 4
Connecting Fixtures (Continued)

DIMMING WIRING DIAGRAM

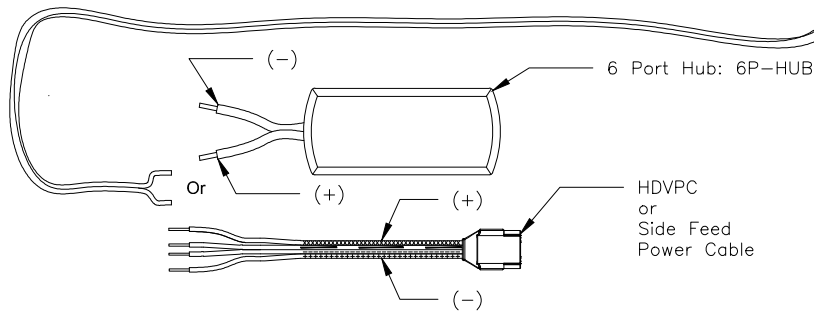
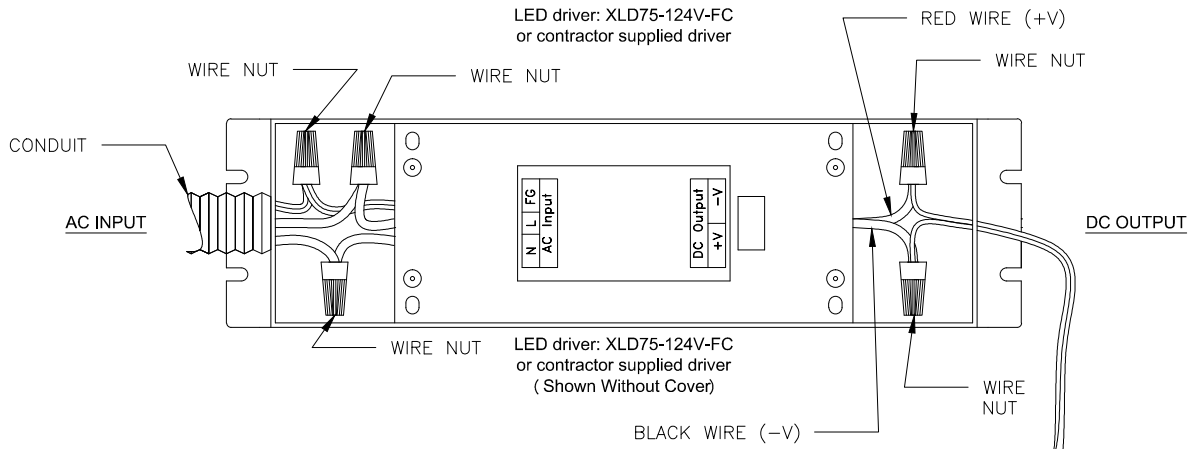
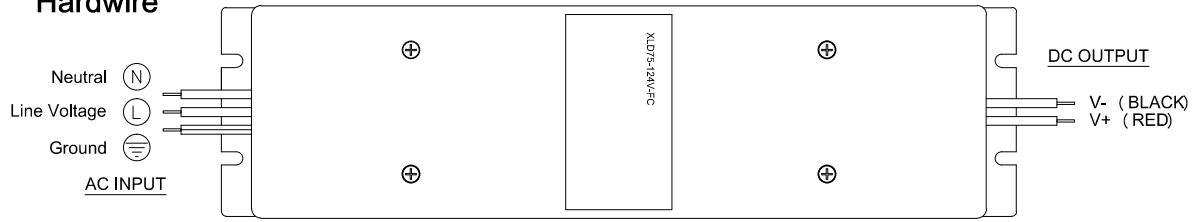


Note:

1. Splice cable between low voltage side of driver and distribution hub
2. Keep Parity Consistent – Live and neutral cross from driver to Dimming Interface

CAUTION:
TOTAL CONNECTED FIXTURES WATTAGE NOT TO EXCEED DRIVER WATTAGE!

**Step 5
Hardwire**



Note:

1. Keep Polarity Consistent – Live and neutral cross from driver to 6 Port Hub: 6P-HUB or NDVPC or Side Feed power Cable

